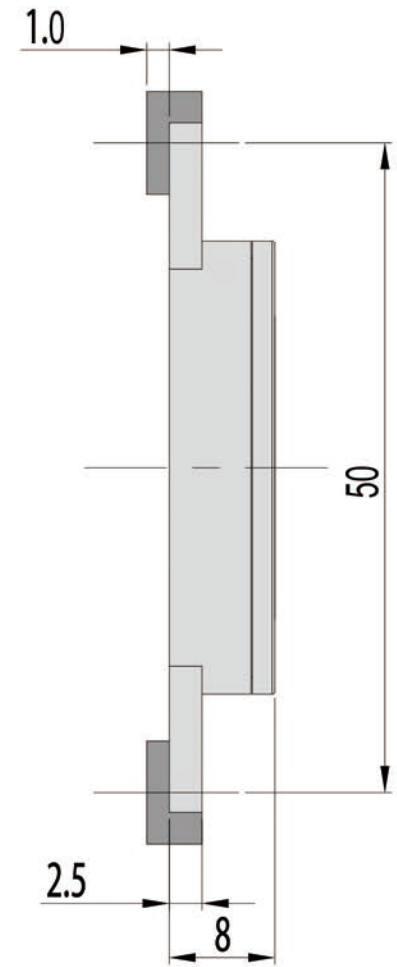
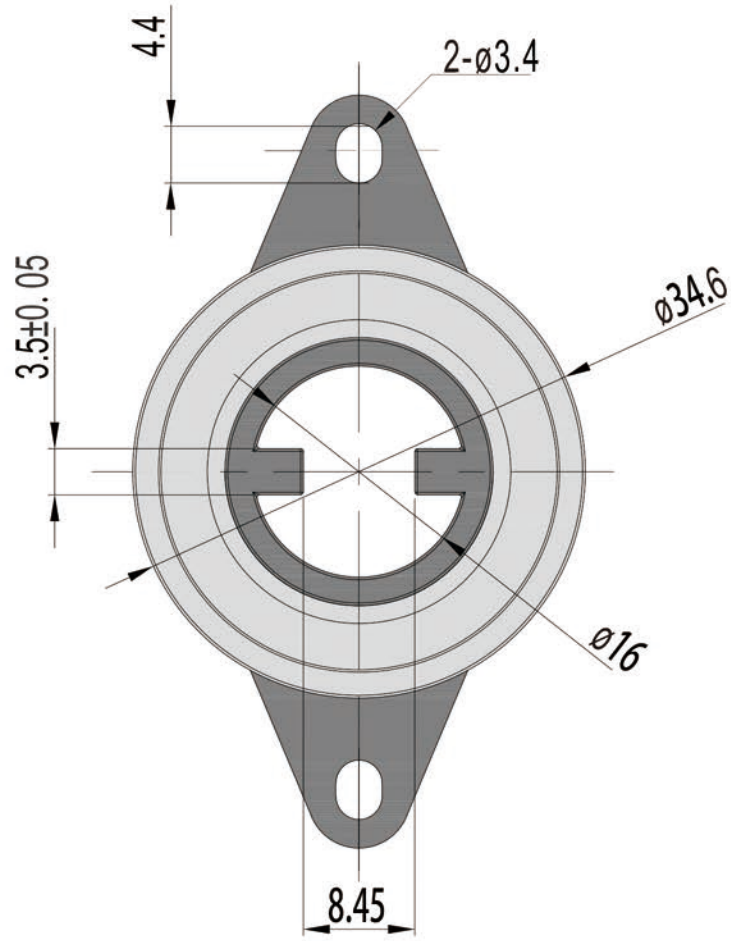


RH-Q34A0



Model	Torque at 23°C and 15°/S	Damping direction
RH-Q34A0-R602	0.6±0.12N·m 6±1.2 kgf·cm	Clockwise
RH-Q34A0-L602		Anticlockwise
RH-Q34A0-R802	0.8±0.16N·m 8±1.6 kgf·cm	Clockwise
RH-Q34A0-L802		Anticlockwise
RH-Q34A0-R103	1.0±0.2N·m 10±2.0 kgf·cm	Clockwise
RH-Q34A0-L103		Anticlockwise

FIDO  Motion Control

RH-Q34

Damper drawing