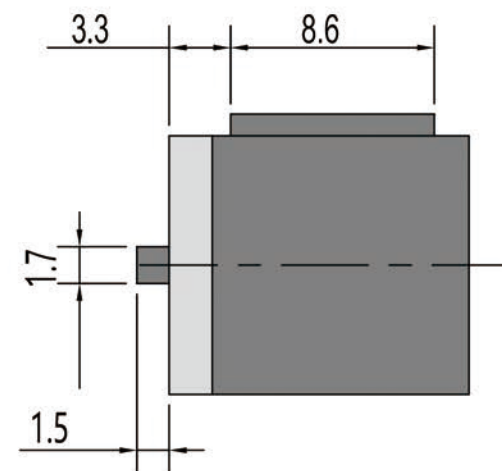
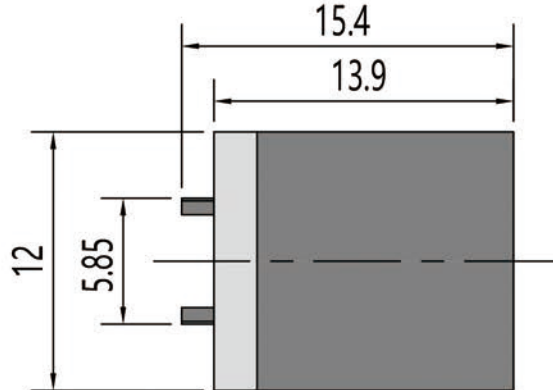
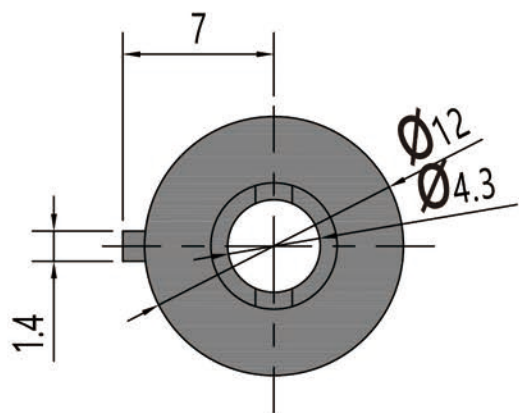
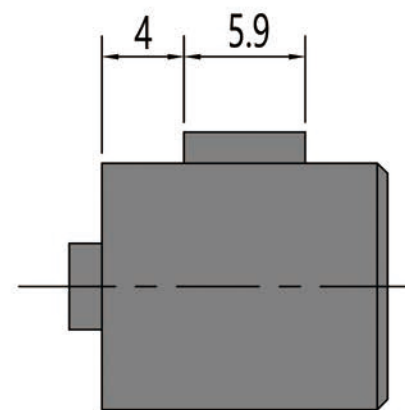
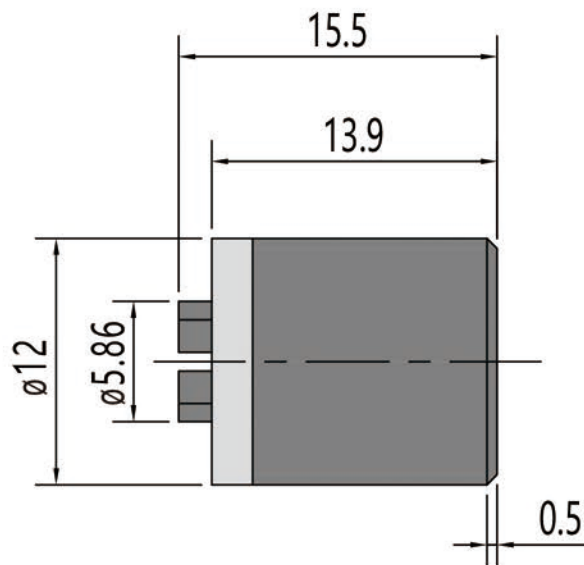
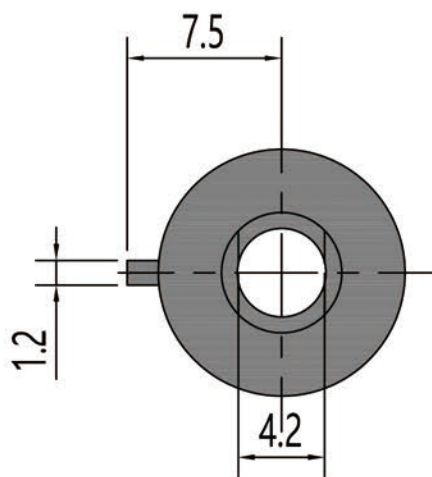


RH-Y12A0



RH-Y12C1



Model	Torque at 23°C and 30 rpm.	Damping direction
RH-Y12A0(C1)-B301	3±0.6N·cm 300±60 gf·cm	Bi-directional
RH-Y12A0(C1)-B401	4±0.8N·cm 400±80 gf·cm	Bi-directional
RH-Y12A0(C1)-B501	5±1.0N·cm 500±100 gf·cm	Bi-directional
RH-Y12A0(C1)-B601	6±1.2N·cm 600±120 gf·cm	Bi-directional
RH-Y12A0(C1)-B701	7±1.4N·cm 700±140 gf·cm	Bi-directional

FIDO  Motion Control

RH-Y12

Damper drawing