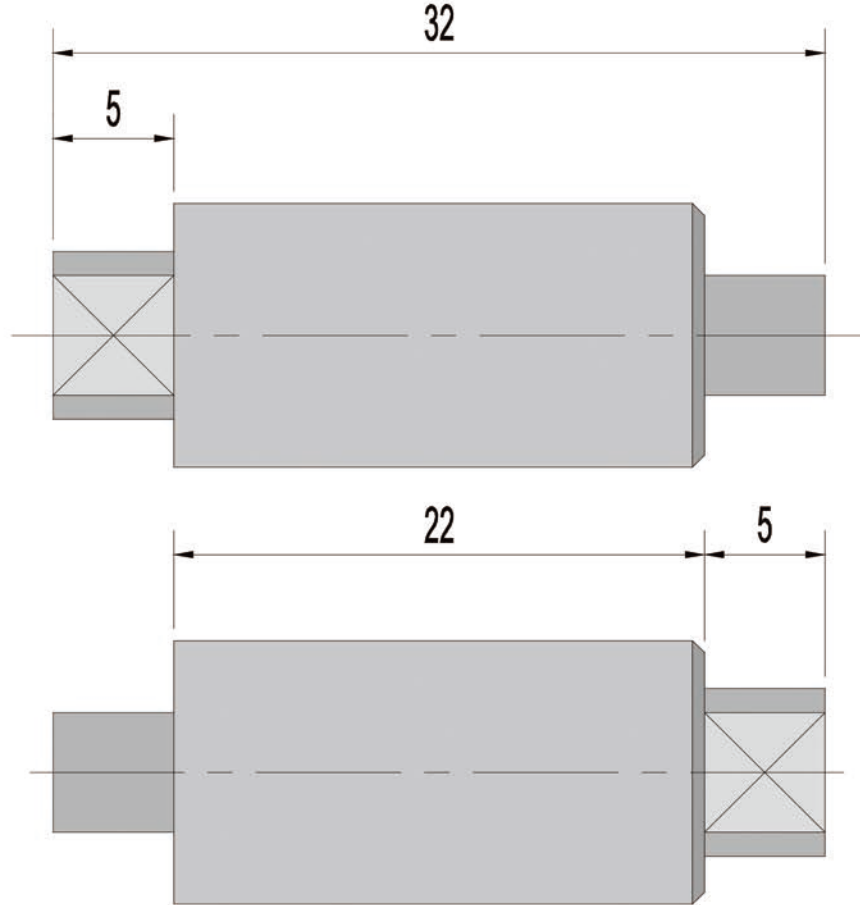
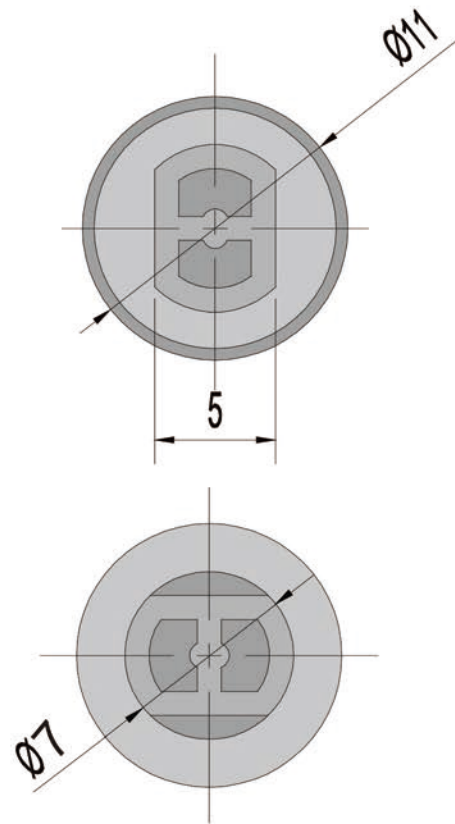


RH-N11B0



Model	Torque	Torque of undamping direction	Damping direction
RH-N11B0-R102	0.1N·m (1kgf·cm)	0.03N·m (0.3kgf·cm)	Clockwise
RH-N11B0-L102			Anticlockwise
RH-N11B0-R202	0.2N·m (2kgf·cm)	0.06N·m (0.6kgf·cm)	Clockwise
RH-N11B0-L202			Anticlockwise
RH-N11B0-R302	0.3N·m (3kgf·cm)	0.1N·m (1kgf·cm)	Clockwise
RH-N11B0-L302			Anticlockwise

FIDO  Motion Control

RH-N11

Damper drawing