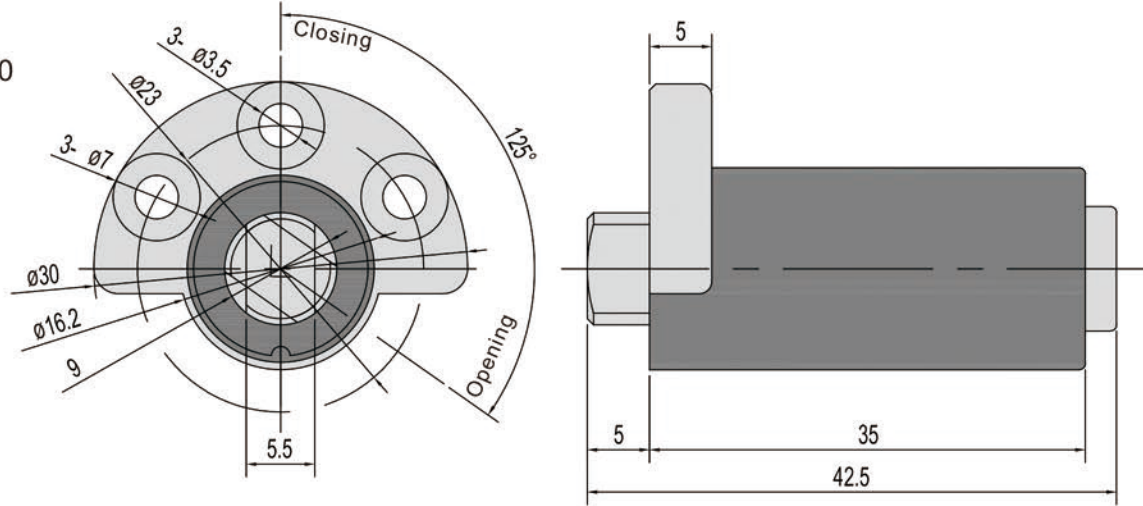
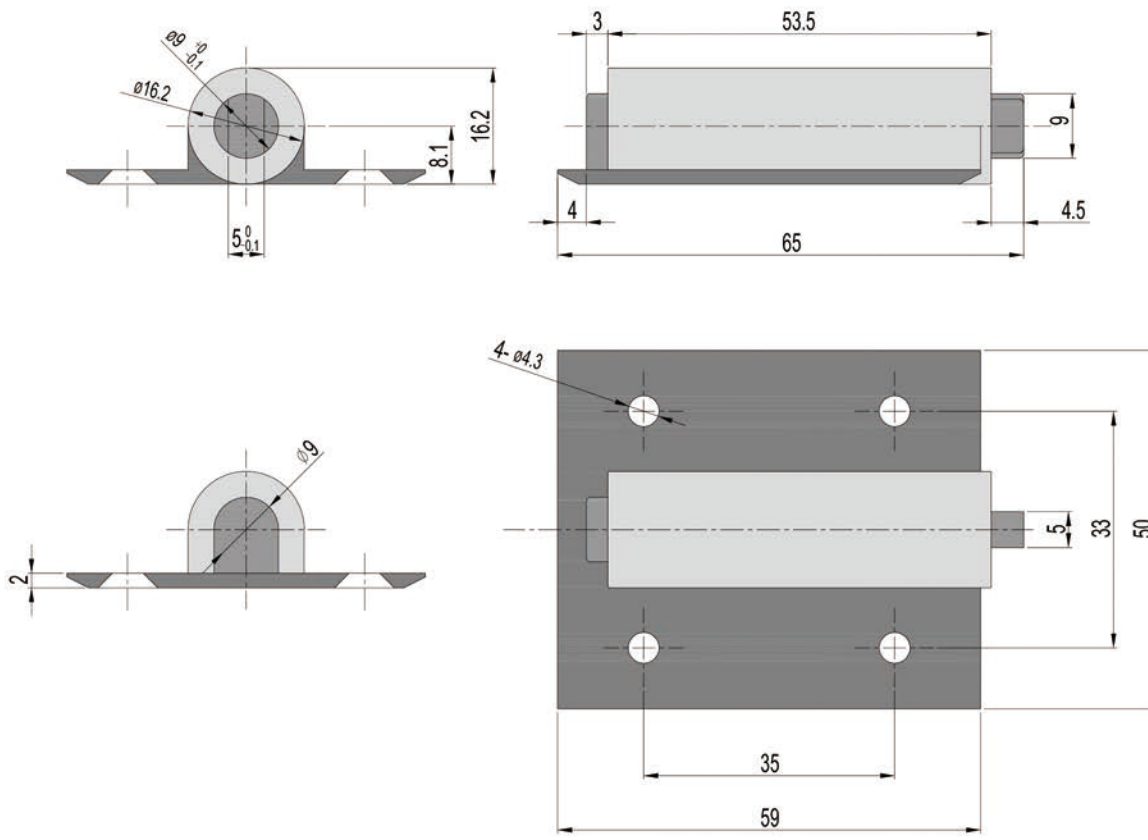


RH-N16A0



RH-N16A2



Model	Torque	Torque of undamping direction	Damping direction
RH-N16A0-R103	1N·m (10kgf·cm)	0.3N·m (3kgf·cm)	Clockwise
RH-N16A0-L103			Anticlockwise
RH-N16A0-R203	2N·m (20kgf·cm)	0.6N·m (6kgf·cm)	Clockwise
RH-N16A0-L203			Anticlockwise
RH-N16A0-R303	3N·m (30kgf·cm)	1.0N·m (10kgf·cm)	Clockwise
RH-N16A0-L303			Anticlockwise
RH-N16A0-R703	7N·m (70kgf·cm)	2.0N·m (20kgf·cm)	Clockwise
RH-N16A0-L703			Anticlockwise
RH-N16A0-R903	9N·m (90kgf·cm)	3.0N·m (30kgf·cm)	Clockwise
RH-N16A0-L903			Anticlockwise

**FIDO** Motion Control

**RH-N16**

Damper drawing