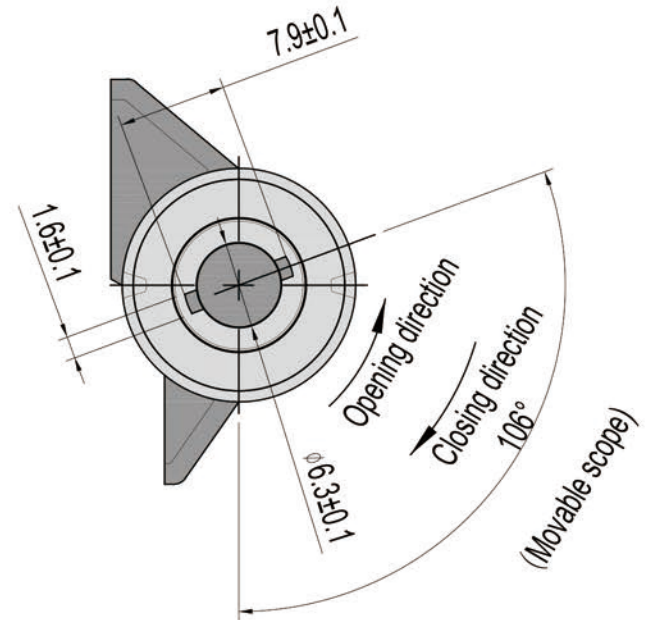
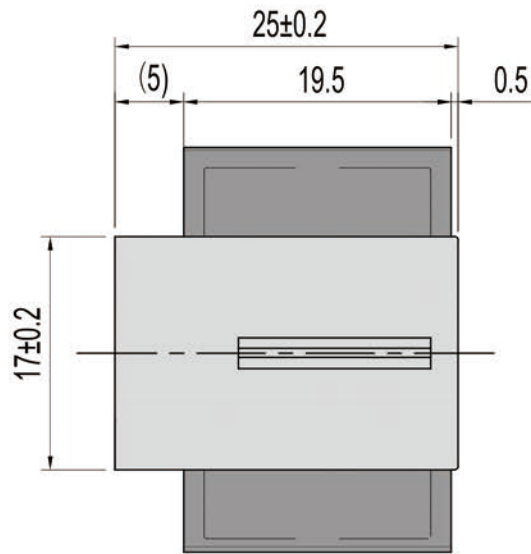
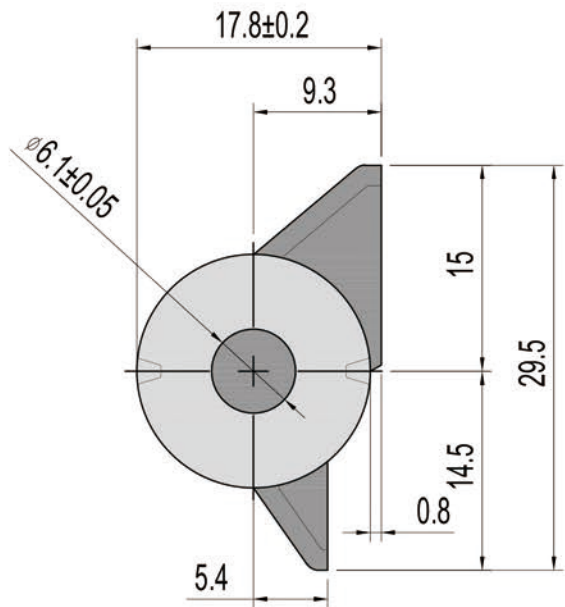
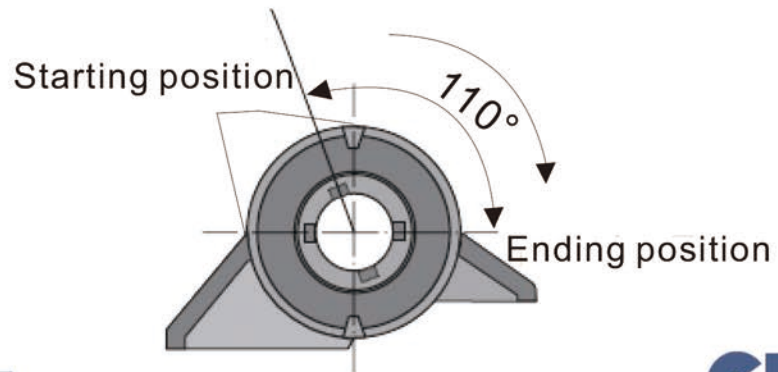


# RH-P17A0



## Instructions



Model	Torque at 23°C and 15°/S	Torque of undamping direction	Damping direction
RH-P17A0-L502	$0.5 \pm 0.1 \text{ N} \cdot \text{m}$ $5 \pm 1 \text{ kgf} \cdot \text{cm}$	$0.1 \text{ N} \cdot \text{m}$ $1 \text{ kgf} \cdot \text{cm}$	Anticlockwise
RH-P17A0-L702	$0.7 \pm 0.1 \text{ N} \cdot \text{m}$ $7 \pm 1 \text{ kgf} \cdot \text{cm}$	$0.2 \text{ N} \cdot \text{m}$ $2 \text{ kgf} \cdot \text{cm}$	Anticlockwise
RH-P17A0-L902	$0.9 \pm 0.1 \text{ N} \cdot \text{m}$ $9 \pm 1 \text{ kgf} \cdot \text{cm}$	$0.3 \text{ N} \cdot \text{m}$ $3 \text{ kgf} \cdot \text{cm}$	Anticlockwise

**FIDO** Motion Control

**RH-P17**