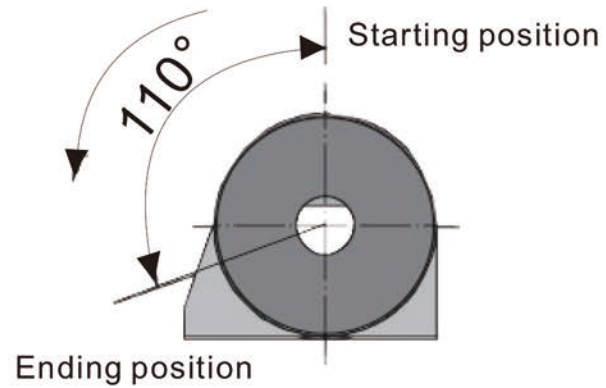


## Instructions



**FIDO**  Motion Control

**RH-P23**

| Model         | Torque at 23°C and 15°/S  | Torque of undamping direction | Damping direction |
|---------------|---------------------------|-------------------------------|-------------------|
| RH-P23A0-L103 | 1.0±0.1N·m<br>10±1 kgf·cm | 0.3N·m<br>3kgf·cm             | Anticlockwise     |
| RH-P23A0-L123 | 1.2±0.1N·m<br>12±1 kgf·cm | 0.4N·m<br>4kgf·cm             | Anticlockwise     |
| RH-P23A0-L143 | 1.4±0.1N·m<br>14±1 kgf·cm | 0.5N·m<br>5kgf·cm             | Anticlockwise     |